

Data Sheet

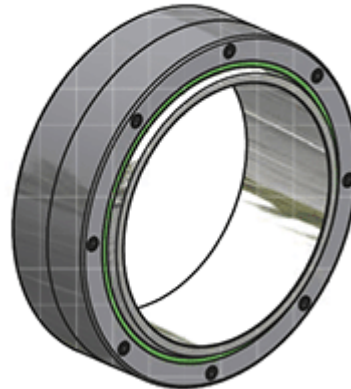
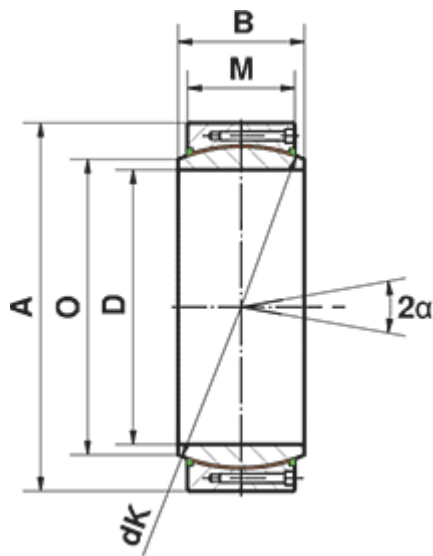


Article number: 03447400

Description: Fluro Heavy Duty Spherical Plain Bearing GE 400 CW
Hole Ø400

Note: 400

Measures



= -	D	= 400
= -	dK	= 470
= -	Dynamic load C (kN)	= 22430
= -	M	= 160
= -	O	= 429.8
A	Static load C0 (kN)	= 37385
a (degrees)	Weight (g)	= 131
B		= 190